

# Многофункциональные электронные устройства HC77, SHC77, 571T, HW66M, Codix 544, Codix 54U

## Технические характеристики

По вопросам продаж и поддержки обращайтесь:

Алматы (727)345-47-04  
Ангарск (3955)60-70-56  
Архангельск (8182)63-90-72  
Астрахань (8512)99-46-04  
Барнаул (3852)73-04-60  
Белгород (4722)40-23-64  
Благовещенск (4162)22-76-07  
Брянск (4832)59-03-52  
Владивосток (423)249-28-31  
Владикавказ (8672)28-90-48  
Владимир (4922)49-43-18  
Волгоград (844)278-03-48  
Вологда (8172)26-41-59  
Воронеж (473)204-51-73  
Екатеринбург (343)384-55-89

Иваново (4932)77-34-06  
Ижевск (3412)26-03-58  
Иркутск (395)279-98-46  
Казань (843)206-01-48  
Калининград (4012)72-03-81  
Калуга (4842)92-23-67  
Кемерово (3842)65-04-62  
Киров (8332)68-02-04  
Коломна (4966)23-41-49  
Кострома (4942)77-07-48  
Краснодар (861)203-40-90  
Красноярск (391)204-63-61  
Курск (4712)77-13-04  
Курган (3522)50-90-47  
Липецк (4742)52-20-81

Магнитогорск (3519)55-03-13  
Москва (495)268-04-70  
Мурманск (8152)59-64-93  
Набережные Челны (8552)20-53-41  
Нижний Новгород (831)429-08-12  
Новокузнецк (3843)20-46-81  
Ноябрьск (3496)41-32-12  
Новосибирск (383)227-86-73  
Омск (3812)21-46-40  
Орел (4862)44-53-42  
Оренбург (3532)37-68-04  
Пенза (8412)22-31-16  
Петрозаводск (8142)55-98-37  
Псков (8112)59-10-37  
Пермь (342)205-81-47

Ростов-на-Дону (863)308-18-15  
Рязань (4912)46-61-64  
Самара (846)206-03-16  
Санкт-Петербург (812)309-46-40  
Саратов (845)249-38-78  
Севастополь (8692)22-31-93  
Саранск (8342)22-96-24  
Симферополь (3652)67-13-56  
Смоленск (4812)29-41-54  
Сочи (862)225-72-31  
Ставрополь (8652)20-65-13  
Сургут (3462)77-98-35  
Сыктывкар (8212)25-95-17  
Тамбов (4752)50-40-97  
Тверь (4822)63-31-35

Тольятти (8482)63-91-07  
Томск (3822)98-41-53  
Тула (4872)33-79-87  
Тюмень (3452)66-21-18  
Ульяновск (8422)24-23-59  
Улан-Удэ (3012)59-97-51  
Уфа (347)229-48-12  
Хабаровск (4212)92-98-04  
Чебоксары (8352)28-53-07  
Челябинск (351)202-03-61  
Череповец (8202)49-02-64  
Чита (3022)38-34-83  
Якутск (4112)23-90-97  
Ярославль (4852)69-52-93

Россия +7(495)268-04-70

Казахстан +7(727)345-47-04

Беларусь +(375)257-127-884

Узбекистан +998(71)205-18-59

Киргизия +996(312)96-26-47

эл.почта: [kgu@nt-rt.ru](mailto:kgu@nt-rt.ru) || сайт: <https://kubler.nt-rt.ru/>

# Hour meters / timers, electromechanical

<b>Dual function counters</b>	<b>Pulse + time for DIN rail (AC+DC)</b>	<b>SHC77</b>
-------------------------------	--	--------------



The counter combinations SHC77 comprise an hour meter and a totalizer. They can be controlled both simultaneously and separately.

These DIN rail mount counters have a reduced mounting depth. They can be used in many different fields of application.

## Characteristics

- Hour meter and totalizer in one single device  
optional: counters controlled separately.
- Without reset.
- High shock resistance.
- Magnified large figures.
- Protection IP52 (on the front side).
- Data retention in case of power failure.
- Long service life.
- UL-approved.

## Applications

General counting, alarm systems, pay stations, electricity meters, vending and gaming machines, copying machines, medical equipment, car washes, lifts, heating burners.

## Type series

Description	Type	Options
Dual function counter, common connections	<b>SHC77</b>	SHC77: The two meters are connected in parallel, this means, that the adding counter registers the total number of events and the time meter the total operating time of the device.
Dual function counter, separate connections	<b>SHC77.60</b>	SHC77.60: Hour meter and adding counter have two separate connections. This version is available for either AC or DC version (not mixed).

Order information: Art. no. (for special voltages etc. indicate exact counter types, voltage and frequency e.g. SHC77, 120 V AC, 60 Hz)

## General technical data

<b>Operating indicator of the hour meter</b>	AC	fast rotating wheels with red dashes: 99999.99 h
	DC	1/100 h display turns continuously by 1 digit per 36 s: 999999.99 h
<b>Height of figures</b>	4 x 1.7 mm [0.16 x 0.067"] optical	
<b>Color of figures</b>	hour meter	hours: white figures on black
	1/10 u. 1/100 h adding counter	red figures on black white figures on black
<b>Operating temperature</b>	-15 °C ... +50 °C [+5 °F ... +122 °F] (non-condensing)	
<b>Relative humidity at +30 °C [+86 °F]</b>	≤ 80 % (non-condensing)	
<b>Altitude</b>	up to 2000 m [6562']	
<b>Mounting position</b>	any	

## Electrical characteristics

<b>Electrical connection</b>	SHC77	screw terminal (tightening torque max. 0.8 Nm)
	SHC77.60	2 x cable – 2 x 0.5 mm <sup>2</sup> [AWG20] NYFAZ, 0.5 m [1.64'] hour meter red/black adding counter grey
<b>Power consumption</b>	10 ... 30 V DC	approx. 1 W
	36 ... 80 V DC	approx. 1.65 W
	100 ... 130 V DC	approx. 1.75 W
	20 ... 30 V AC, 50 Hz	approx. 0.53 VA
	42 ... 48 V AC, 50 Hz	approx. 0.53 VA
<b>Rated voltages</b>	AC (50 or 60 Hz)	20 ... 30/42 ... 48/100 ... 130/187 ... 264 V
	DC	10 ... 30/36 ... 80/100 ... 130 V
<b>On time</b>	100 %	
<b>Count mode</b>	adding	
<b>Accuracy</b>	AC	supply frequency + 30 ms
	DC	< 0.003 % (at 24 h)
<b>Reset</b>	no reset	
<b>Test voltage</b>	2500 V AC, 50 Hz	
<b>Device safety</b>	designed to protection class	EN 61010 part 1
	application area	2 pollution level 2

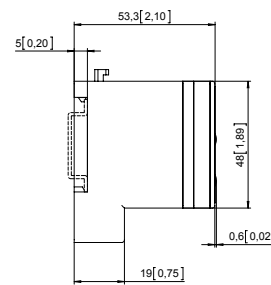
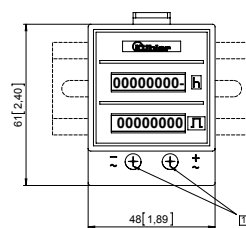
# Hour meters / timers, electromechanical

<b>Dual function counters</b>	<b>Pulse + time for DIN rail (AC+DC)</b>	<b>SHC77</b>
-------------------------------	--	--------------

Mechanical characteristics	
<b>Protection</b>	IP52 (front side) when built-in
<b>Housing color</b>	black (standard)
<b>Weight</b>	SHC77 85 g [3.00 oz] SHC77.60 105 g [3.70 oz]

Approvals	
<b>UL compliant</b> in accordance with	File no. E128604
<b>CE compliant</b> in accordance with	
EMC Directive	2014/30/EU
RoHS Directive	2011/65/EU
Low Voltage Directive	2014/35/EU

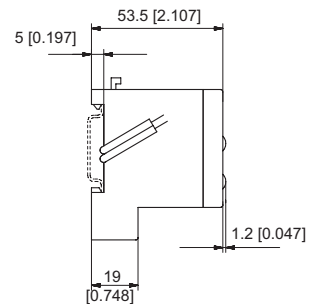
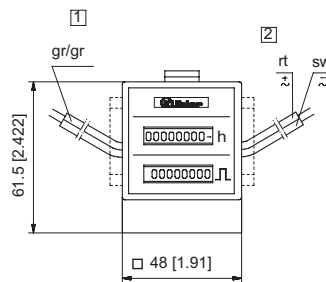
**Dual function counter with common connections**  
Type SHC77



screw terminal

Type	Display	Voltage	Art. no.					
			10 ... 30 V	20 ... 30 V	36 ... 80 V	42 ... 48 V	100 ... 130 V	187 ... 264 V
SHC77	7/8 digits	AC (50 Hz)		3.553.401.071		3.553.401.072	3.553.401.074	3.553.401.075
	7/8 digits	AC (60 Hz)		3.553.401.081		3.553.401.082	3.553.401.084	3.553.401.085
	7/8 digits	DC	3.553.401.351		3.553.401.353		3.553.401.381	

**Dual function counter with separate connections**  
Type SHC77.60



adding counter      hour meter

Type	Display	Voltage	Art. no.					
			10 ... 30 V	20 ... 30 V	36 ... 80 V	42 ... 48 V	100 ... 130 V	187 ... 264 V
SHC77.60	7/8 digits	AC (50 Hz)		3.553.401.071.060		3.553.401.072.060	3.553.401.074.060	3.553.401.075.060
	7/8 digits	AC (60 Hz)		3.553.401.081.060		3.553.401.082.060	3.553.401.084.060	3.553.401.085.060
	7/8 digits	DC	3.553.401.351.060		on request		3.553.401.381.060	

# Energy meters

**Dual function counters**      **Energy and time (AC)**      **HW66M**



The HW66M combination meter consists of an hour meter and an energy meter.

This panel-mounted device requires only a limited installation depth and can be used in a wide variety of application areas. The count pulses can be read out via the SO output.

MID approved



<b>AC</b> 115...230V Supply voltage	 -20°...+55°C Temperature range	 DIN 48x48 DIN front bezel	 IP65 High protection level	 12345 12345 No reset	 2 x 6 2 x 6 digit Display	 kWh Energy meter	 Timer
---	---------------------------------------	----------------------------------	-----------------------------------	--------------------------------	-------------------------------------	-------------------------	-----------

### Product features

- Metering of hours run and energy consumption in one compact device – panel mounting.
- Wide temperature range.
- Remote readout via SO outputs on request.
- Shows both values in parallel.
- Easy-to-read display – can also be read if no voltage present.

### Benefits

- Tamper-proof fixed installation with high degree of protection.
- High measuring accuracy.
- Can be officially calibrated (MID).

### Applications

Dehumidifiers, hire equipment and machinery, air-conditioning, production equipment, current generators.

### Order specifications

Type	Voltage	Order no.	Delivery includes	Type plate
HW66M	230 V AC	<b>3.56M.201.075</b>	<ul style="list-style-type: none"> <li>• Counter</li> <li>• Flat gasket</li> <li>• Mounting clip</li> <li>• Instruction manual</li> </ul>	If the type plate on the side of the HW66M is no longer legible after the installation, the provided additional type plate can be affixed on the front panel of the device in order to comply if necessary with the legal requirements relating to calibration.

### Accessories

		Type / size	Description		Order no.
<b>Mounting frame</b>			with cut-out 50 x 50 [2.36 x 2.36] via separate adapter also for 45 x 45 [1.77 x 1.77] for snap-on mounting on 35 [1.38] top-hat DIN rail	chromated	<b>G300003</b>
<b>Gasket counter</b>		48 x 48 mm [1.89 x 1.89]			<b>N511018</b>
incl. in delivery					

# Energy meters

<b>Dual function counters</b>	<b>Energy and time (AC)</b>	<b>HW66M</b>
-------------------------------	-----------------------------	--------------

## Technical data

General technical data	
<b>Supply voltage</b>	230 V AC, -20 % / +15 % 50 Hz
<b>Digits</b>	2 x 6 digit (decimale places red)
<b>Height of figures (optical)</b>	4 x 1.7 mm [0.16 x 0.067"]
<b>Colour of figures</b>	white and red on black
<b>Operating temperature</b>	10 °C ... +55 °C [+14 °F ... +131 °F] (non-condensing)
<b>Storage temperature</b>	-25 °C ... +65 °C [-13 °F ... +149 °F]
<b>Relative humidity at +30 °C [+86 °F]</b>	≤ 80 % (non-condensing)
<b>Altitude</b>	up to 2000 m [6562']
<b>Housing</b>	DIN panel-mount 48 x 48 mm [1.89 x 1.89"]
<b>Depth</b>	55 mm [2.17"]
<b>Protection</b>	IP65, EN 60529 (front side) IP20 (rear side)
<b>Max. core cross-section</b>	inputs/outputs 2.5 mm <sup>2</sup> [AWG 13] SO output 2.5 mm <sup>2</sup> [AWG 13]
<b>LED function</b>	LED on when supply voltage is connected LED blinks when energy is being measured

Energy meter	
<b>Display</b>	99999.9 kWh
<b>Accuracy</b>	class B, acc. to MID
<b>Current</b>	I <sub>B</sub> = 5 A, I <sub>max</sub> = 16 A
<b>Current limits</b>	≥ 20 mA up to 16 A
<b>Start current</b>	≥ 20 mA
<b>SO output</b>	1000 pulses/kWh, 5 ... 30 V DC, I <sub>max</sub> = 20 mA
<b>Pulse duration</b>	50 ms

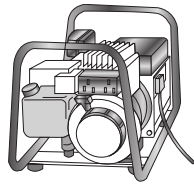
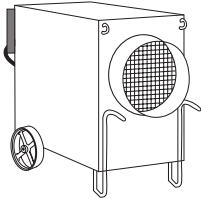
Hour meter	
<b>Display</b>	99999.9 h (0.1 h = 6 min)
<b>Accuracy</b>	± 2 %
<b>SO output</b>	10 imp/h, 5 ... 30 V DC, I <sub>max</sub> = 20 mA
<b>Pulse duration</b>	50 ms
<b>Start (Operating time)</b>	with voltage applied to L <sub>in</sub>
This hour meter shall not be used for electricity consumption calculation.	

Approvals	
<b>CE compliant</b> in accordance with	
EMC Directive	2014/30/EU
Measuring Instruments Directive	2014/32/EU
Low Voltage Directive	2014/35/EU
RoHS Directive	2011/65/EU

# Energy meters

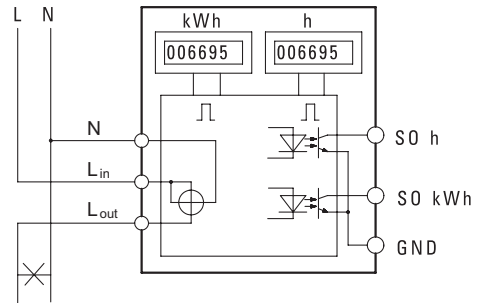
**Dual function counters**      **Energy and time (AC)**      **HW66M**

### Applications



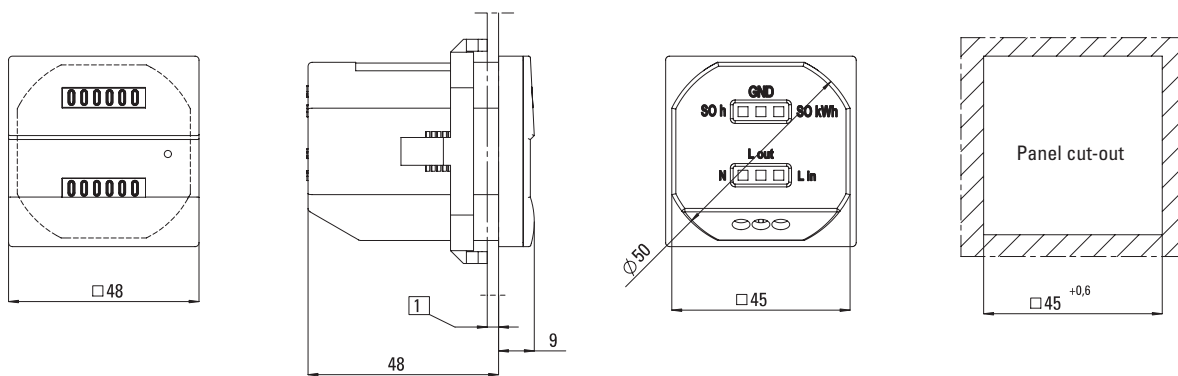
Retro- or standard fitting in dehumidifiers, current generators, air-conditioning, production equipment etc. for the accurate, traceable billing of operating and energy costs – especially also for hire equipment.

### Terminal assignment



### Dimensions

Dimensions in mm



1 max. 6.5

# Hour meters / timers, electromechanical

<b>Dual function counters</b>	<b>Pulse + time / 2 x time (AC+DC)</b>	<b>HC77</b>
-------------------------------	--	-------------



The counter combinations HC77 and HC77.55 comprise an hour meter and a totalizer. They can be controlled both simultaneously and separately.

These panel mount counters have a reduced mounting depth. They can be used in many different fields of application.

Optionally with 2 hour meters on request.

Characteristics	Benefits
<ul style="list-style-type: none"> <li>Hour meter and totalizer in one single device.</li> <li>Without reset.</li> <li>High shock resistance.</li> <li>Magnified large figures.</li> <li>Protection IP52 front side (optional IP65).</li> <li>Data retention in case of power failure.</li> <li>UL-approved.</li> </ul>	<ul style="list-style-type: none"> <li>Long service life.</li> <li>Optional: counters controlled separately.</li> </ul>
	<p><b>Applications</b></p> <p>General time measurement, maintenance intervals for measuring instruments (respiration units, oxygen, dialysis), small appliances, UV lamps, display panels in vehicles, lifts, heating burners.</p>

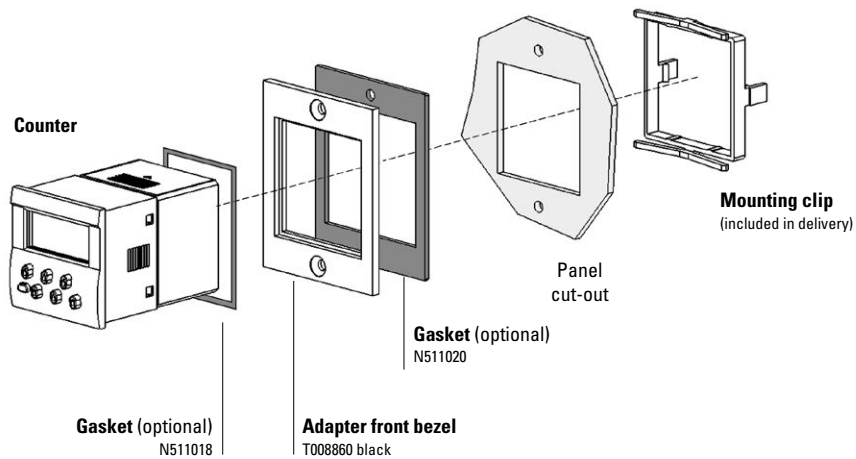
## Type series

Description	Type	Options
Dual function counter 48 x 48 mm [1.89 x 1.89"]	<b>HC77</b>	<ul style="list-style-type: none"> <li>Housing color: grey Art. no. 3.55X.400.XXX</li> <li>Flat pin 0.8 x 6.3 mm [0.031 x 0.25"] Art.-No.: 3.55X.40X.XXX.011</li> </ul>
With adapter front bezel 55 x 55 mm [2.17 x 2.17"]	<b>HC77.55</b>	<ul style="list-style-type: none"> <li>Separate connections for running time meter and adding counter. This model is available for AC or DC (not mixed)</li> <li>Adding counter max. 10 Hz</li> <li>Electrical connection: 2 x cable 2 x 0.5 mm<sup>2</sup> [AWG20], NYFAZ, 0.5 m [1.64'] (hour meter cable red/black, adding counter grey cable) Art. no. 3.55X.40X.XXX.060</li> <li>Sealed window (IP65 front side) with: <ul style="list-style-type: none"> <li>Screw terminal Art. no. 3.55X.40X.XXX.419</li> <li>Flat pin 0.8 x 6.3 mm [0.031 x 0.25"] Art. no. 3.55X.40X.XXX.062</li> <li>Separated connections (cable) Art. no. 3.55X.40X.XXX.061</li> </ul> </li> <li>Counter combination with 2 hour meters 10 ... 30 V DC <ul style="list-style-type: none"> <li>2 x cable 2 x 0.5 mm<sup>2</sup> [AWG20] Art. no. 3.554.401.351.060</li> <li>Spring-type terminal on request</li> </ul> </li> </ul>
Order information:		
Art. no. (for special voltages etc. indicate exact model, voltage and frequency e.g. HC77, 120 V AC, 60 Hz)		

# Hour meters / timers, electromechanical

**Dual function counters**      **Pulse + time / 2 x time (AC+DC)**      **HC77**

**Accessories / Mounting examples**



		Type / size	Description		Order no.	suitable gasket
<b>Adapter front bezel</b>		<b>55 x 55 mm</b> <b>[2.17 x 2.17]</b>	for cut-out 50 x 50 mm [1.97 x 1.97"] or ø 50,5 mm [1.99"] to cut-out 45 x 45 mm [1.77 x 1.77"]	grey black	<b>T008170</b> <b>T008171</b>	<b>N511017</b>
		<b>55 x 55 mm</b> <b>[2.17 x 2.17]</b>	for cut-out 50 x 50 mm [1.97 x 1.97"] to cut-out 45 x 45 mm [1.77 x 1.77"]	black	<b>T008853</b>	<b>N511004</b>
		<b>60 x 75 mm</b> <b>[2.36 x 2.95]</b>	for cut-out 50 x 50 mm [1.97 x 1.97"] to cut-out 45 x 45 mm [1.77 x 1.77"]	black	<b>T008860</b>	<b>N511020</b>
		<b>72 x 72 mm</b> <b>[2.83 x 2.83]</b>	for cut-out 68 x 68 mm [2.68 x 2.68"] to cut-out 45 x 45 mm [1.77 x 1.77"]	grey black Mating clip	<b>T008176</b> <b>T008177</b> <b>T009420</b>	<b>N511016</b>
		<b>ø 72 mm</b> <b>[2.83]</b>	for cut-out ø 60 mm [2.36"] to cut-out 45 x 45 mm [1.77 x 1.77"]	black	<b>N510226</b>	–
<b>Gasket counter</b>			48 x 48 mm (for installation in adapter front bezel)		<b>N511018</b>	



# Hour meters / timers, electromechanical

<b>Dual function counters</b>	<b>Pulse + time / 2 x time (AC+DC)</b>	<b>HC77</b>
-------------------------------	--	-------------

## Technical data

Electrical characteristics															
<b>Electrical connection</b>	screw terminal (tightening torque max. 0.8 Nm)														
<b>Power consumption</b>	<table border="0"> <tr> <td>10 ... 30 V DC</td> <td>approx. 1 W</td> </tr> <tr> <td>36 ... 80 V DC</td> <td>approx. 1.65 W</td> </tr> <tr> <td>100 ... 130 V DC</td> <td>approx. 1.75 W</td> </tr> <tr> <td>20 ... 30 V AC, 50 Hz</td> <td>approx. 0.53 VA</td> </tr> <tr> <td>42 ... 48 V AC, 50 Hz</td> <td>approx. 0.53 VA</td> </tr> <tr> <td>100 ... 130 V AC, 50 Hz</td> <td>approx. 1.43 VA</td> </tr> <tr> <td>187 ... 264 V AC, 50 Hz</td> <td>approx. 3.0 VA</td> </tr> </table>	10 ... 30 V DC	approx. 1 W	36 ... 80 V DC	approx. 1.65 W	100 ... 130 V DC	approx. 1.75 W	20 ... 30 V AC, 50 Hz	approx. 0.53 VA	42 ... 48 V AC, 50 Hz	approx. 0.53 VA	100 ... 130 V AC, 50 Hz	approx. 1.43 VA	187 ... 264 V AC, 50 Hz	approx. 3.0 VA
10 ... 30 V DC	approx. 1 W														
36 ... 80 V DC	approx. 1.65 W														
100 ... 130 V DC	approx. 1.75 W														
20 ... 30 V AC, 50 Hz	approx. 0.53 VA														
42 ... 48 V AC, 50 Hz	approx. 0.53 VA														
100 ... 130 V AC, 50 Hz	approx. 1.43 VA														
187 ... 264 V AC, 50 Hz	approx. 3.0 VA														
<b>Rated voltages</b>	<table border="0"> <tr> <td>AC (50 or 60 Hz)</td> <td>20 ... 30/42 ... 48/100 ... 130/187 ... 264 V</td> </tr> <tr> <td>DC</td> <td>10 ... 30/36 ... 80/100 ... 130 V</td> </tr> </table>	AC (50 or 60 Hz)	20 ... 30/42 ... 48/100 ... 130/187 ... 264 V	DC	10 ... 30/36 ... 80/100 ... 130 V										
AC (50 or 60 Hz)	20 ... 30/42 ... 48/100 ... 130/187 ... 264 V														
DC	10 ... 30/36 ... 80/100 ... 130 V														
<b>On time</b>	100 %														
<b>Count mode</b>	adding														
<b>Accuracy</b>	<table border="0"> <tr> <td>AC</td> <td>supply frequency + 30 ms</td> </tr> <tr> <td>DC</td> <td>&lt; 0.003 % (at 24 h)</td> </tr> </table>	AC	supply frequency + 30 ms	DC	< 0.003 % (at 24 h)										
AC	supply frequency + 30 ms														
DC	< 0.003 % (at 24 h)														
<b>Reset</b>	no reset														
<b>Device safety</b>	<table border="0"> <tr> <td>designed to protection class</td> <td>EN 61010 part 1 2</td> </tr> <tr> <td>application area</td> <td>pollution level 2</td> </tr> </table>	designed to protection class	EN 61010 part 1 2	application area	pollution level 2										
designed to protection class	EN 61010 part 1 2														
application area	pollution level 2														

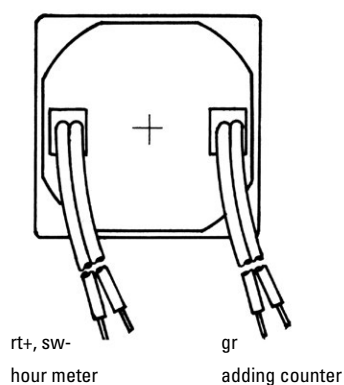
Mechanical characteristics							
<b>Protection</b>	IP52 (front side) when built in						
<b>Housing color</b>	black (standard)						
<b>Weight</b>	<table border="0"> <tr> <td>HC77</td> <td>65 g [2.29 oz]</td> </tr> <tr> <td>plug in frame 55</td> <td>8 g [0.28 oz]</td> </tr> <tr> <td>plug in frame 72</td> <td>13 g [0.46 oz]</td> </tr> </table>	HC77	65 g [2.29 oz]	plug in frame 55	8 g [0.28 oz]	plug in frame 72	13 g [0.46 oz]
HC77	65 g [2.29 oz]						
plug in frame 55	8 g [0.28 oz]						
plug in frame 72	13 g [0.46 oz]						

Approvals	
<b>UL compliant</b> in accordance with	File no. E128604
<b>CE compliant</b> in accordance with	
EMC Directive	2014/30/EU
RoHS Directive	2011/65/EU
Low Voltage Directive	2014/35/EU

General technical data					
<b>Operating indicator of the running time meter</b>	<table border="0"> <tr> <td>AC</td> <td>fast rotating wheel with red dashes: 99999.99 h</td> </tr> <tr> <td>DC</td> <td>1/100 h display turns continuously by 1 digit in 36 s: 999999.99 h</td> </tr> </table>	AC	fast rotating wheel with red dashes: 99999.99 h	DC	1/100 h display turns continuously by 1 digit in 36 s: 999999.99 h
AC	fast rotating wheel with red dashes: 99999.99 h				
DC	1/100 h display turns continuously by 1 digit in 36 s: 999999.99 h				
<b>Height of figures</b>	4 x 1.7 mm [0.16 x 0.067"] optical				
<b>Color of figures</b>	<table border="0"> <tr> <td>hour meter</td> <td>hour: white on black decimal: red on black</td> </tr> <tr> <td>pulse counter</td> <td>white on black</td> </tr> </table>	hour meter	hour: white on black decimal: red on black	pulse counter	white on black
hour meter	hour: white on black decimal: red on black				
pulse counter	white on black				
<b>Operating temperature</b>	-15 °C ... +50 °C [+5 °F ... +122 °F] (non-condensing)				
<b>Relative humidity</b> at +30 °C [+86 °F]	≤ 80 % (non-condensing)				
<b>Altitude</b>	up to 2000 m [6562']				
<b>Mounting position</b>	any				

### Terminal assignment

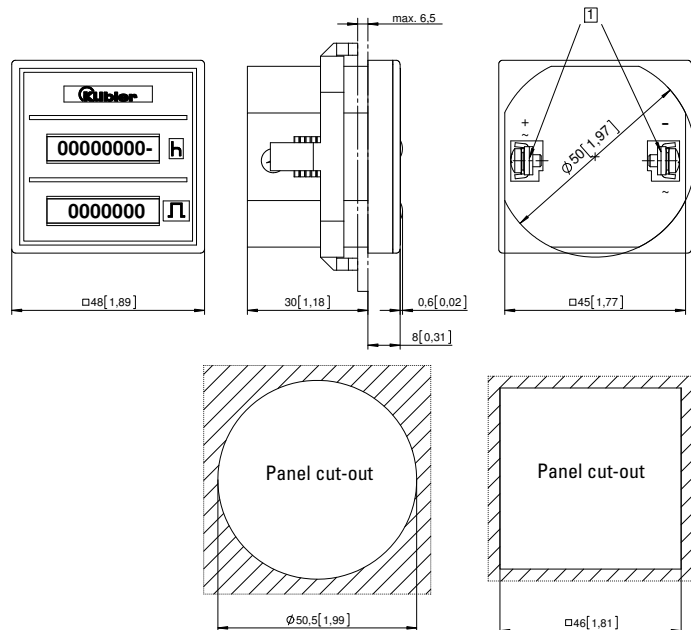
Counter with separate connections (rear view)



# Hour meters / timers, electromechanical

**Dual function counters**      **Pulse + time / 2 x time (AC+DC)**      **HC77**

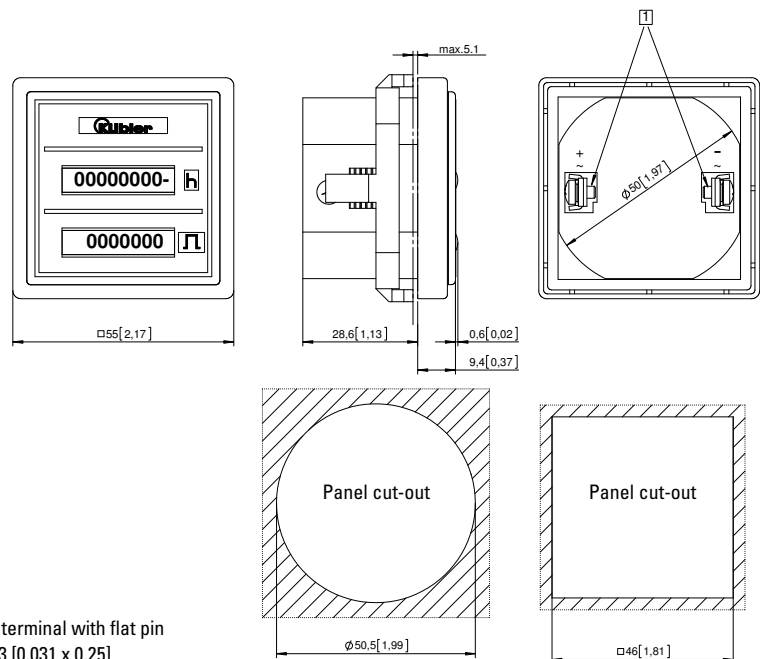
Dual function counter 48 x 48 [1.89 x 1.89"]  
Type HC77



□ Screw terminal with flat pin  
0.8 x 6.3 [0.031 x 0.25]

Type	Display	Voltage	Art. no.					
			10 ... 30 V	20 ... 30 V	36 ... 80 V	42 ... 48 V	100 ... 130 V	187 ... 264 V
HC77	7/8 digits	AC (50 Hz)		3.550.401.071		3.550.401.072	3.550.401.074	3.550.401.075 <sup>1)</sup>
	7/8 digits	AC (60 Hz)		3.550.401.081		3.550.401.082	3.550.401.084	3.550.401.085
	7/8 digits	DC	3.550.401.351 <sup>1)</sup>		3.550.401.353		3.550.401.381	
Color of housing grey:			Art. no.		3.550.400.XXX			

Dual function counter 48 x 48 [1.89 x 1.89"]  
with adapter front bezel 55 x 55 [2.17 x 2.17"]  
Type HC77.55



□ Screw terminal with flat pin  
0.8 x 6.3 [0.031 x 0.25]

Type	Display	Voltage	Art. no.					
			10 ... 30 V	20 ... 30 V	36 ... 80 V	42 ... 48 V	100 ... 130 V	187 ... 264 V
HC77.55	7-8 digits	AC (50 Hz)		3.551.401.071		3.551.401.072	3.551.401.074	3.551.401.075
	7/8 digits	AC (60 Hz)		3.551.401.081		3.551.401.082	3.551.401.084	3.551.401.085
	7/8 digits	DC	3.551.401.351		on request		3.551.401.381	
Color of housing grey:			Art. no.		3.551.400.XXX			

Dimensions in mm [inch]

1) Stock types

# Multifunction devices, electronic

**LCD touch multifunction preset counters**    **Pulse, frequency, time (also reciprocal) – (AC+DC)**    **571T**



The multifunction preset counter 571T with its max. 250 kHz count frequency is ideal for fast counting tasks. It can also be used as a tachometer, short time meter, stop-watch or to measure machine cycle times or throughput times.

Output options include 4 limit values, analog output and RS232 or RS485 interface.

This device is thus able to carry out virtually all count, measurement and control tasks.



<b>AC</b> 115...230V Supply voltage	<b>DC</b> 18 ... 30 V Supply voltage	<b>Multifunctional</b> 1/Hz Multifunctional	<b>max.</b> 1 MHz Input frequency (RS422)	<b>4</b> 4 switching outputs	<b>2</b> Relay output	<b>mA, V</b> Analog output	<b>16 bit</b> Resolution analog output	<b>RS232/485</b> RS232 / RS485 interface	<b>IP65</b> High protection level	<b>Position</b> Position display
<b>DIN 96x48</b> DIN front bezel	<b>8 LCDs</b> LCD touch display	<b>Menu-driven programming</b>	<b>Touch display</b>	<b>Operation with gloves</b>						

### Characteristics

- Fast count input, works with our Limes measuring system (250 kHz/HTL, 1 MHz/RS422).
- 4 switching outputs to work as limit values (reaction time < 1 ms).
- Scalable analog output (reaction time < 150 ms), resolution 16 bit, -10 ... +10 V, 0 ... 20 mA or 4 ... 20 mA.
- Serial interface RS232 or RS485 for reading data in and out.
- Sensor power supply 24 V DC / 150 mA (AC version) or U<sub>B</sub> - 1 V / max. 250 mA (DC version).
- 96 x 48 mm DIN housing, IP65.
- Touch display with 8-digit display value and menu-driven programming.
- 2 relay outputs that can be assigned to the limit values.

### Benefits

- AC and DC supply voltage in one unit.
- Measuring function can be programmed for RPM, speed, speed from elapsed time, machine cycle time, throughput time (reciprocal rotary speed), as well as numerous count and stop-watch functions.
- 4 switching outputs; can also be programmed as a tracking preset.
- Freely programmable.
- Large 13 mm high LCD display, 8-digit, with adjustable brightness. Tri-color – red / green / yellow – programmable.
- Display linearization with teach function.

### Multifunctional display

Large-scale 4-digit display over the whole display surface.



2-line display modes for the simultaneous display of 2 separate measured or calculated values.



Color change of the display to green, yellow or red.



# Multifunction devices, electronic

## LCD touch multifunction preset counters Pulse, frequency, time (also reciprocal) – (AC+DC) 571T

**Order code** 6.571T . 01 X . XXX  
a b c d

**a Relay outputs**  
 0 = 2 relay outputs  
 2 = without output

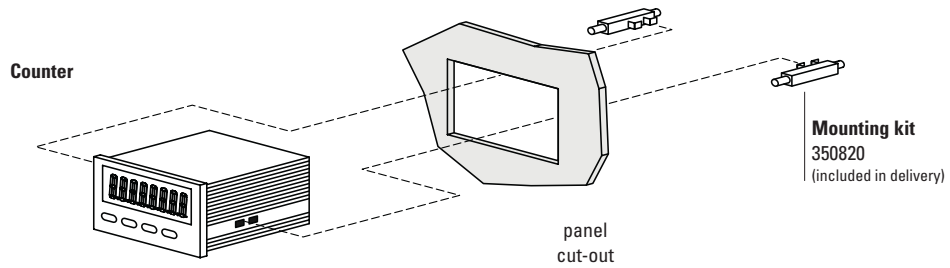
**b Supply voltage**  
 3 = 18 ... 30 V DC  
 E = 18 ... 30 V DC + 115 ... 230 V AC

**c Further options**  
 0 = HTL count inputs (standard)  
 A = RS422 / HTL differential / HTL count inputs (option)

**d Electrical outputs**  
 0 = none  
 1 = RS232, 4 switching outputs  
 2 = RS232, 4 switching outputs, analog output  
 3 = RS485, 4 switching outputs  
 4 = RS485, 4 switching outputs, analog output

*Delivery specification*  
 · Display 571T  
 · Gasket  
 · Mounting kit  
 · Manual German/English

### Accessories / Mounting examples



		Type / size	Description		Order no.	
<b>Mounting kit</b>			1 kit consists of 2 latch hooks		<b>350820</b>	
<b>Mounting frame</b>		<b>cut-out</b> 92 x 45 mm [3.62 x 1.77"]	for snap-on mounting on 35 mm [1.38"] top-hat DIN rail	grey	<b>G300005</b>	–
<b>Software for parameter setting OSxx</b>			<a href="https://de/docu-finder">https://de/docu-finder</a> search box: OS1			

incl. in delivery

# Multifunction devices, electronic

## LCD touch multifunction preset counters Pulse, frequency, time (also reciprocal) – (AC+DC) 571T

### Technical data

#### General technical data

<b>Display</b>	LCD touch display, 13 mm high 8 decades + sign, 3-color
<b>Operating temperature</b>	-20 °C ... +60 °C [-4 °F ... +140 °F] (non-condensing)
<b>Storage temperature</b>	-25 °C ... +70 °C [-13 °F ... +158 °F]
<b>Altitude</b>	up to 2000 m [6562']

#### Electrical characteristics

<b>Supply voltage</b>	18 ... 30 V DC, with reverse polarity protection (rated voltage 24 V DC) 115 ... 230 V AC, 50/60 Hz (option)
<b>Current consumption DC</b>	100 mA, without load
<b>Power consumption AC</b>	approx. 3 VA, without load
<b>Auxiliary voltage for sensors</b> (with RS 422 switchable from 24 V DC to 5 V DC / 250 mA)	
AC supply	24 V DC ±15 %, 150 mA (up to +45 °C) 80 mA (from +46 °C)
DC supply	U <sub>B</sub> - 1 V, 250 mA
<b>Device safety</b>	designed to protection class 2 application area pollution level 2

#### Mechanical characteristics

<b>Housing</b>	ABS UL94-V-0
<b>Weight</b>	approx. 200 g
<b>Protection</b>	IP65 (front side) IP20 (rear side)
<b>Terminals</b>	max. 1.5 mm <sup>2</sup>

#### Inputs

<b>2 incremental inputs (A, B)</b>		
HTL (standard)	pulse input frequency input level load	Tri-State, PNP, NPN and Namur max. 250 kHz Low: 0 ... 3 V / High: 9 ... 30 V max. 6 mA / Ri > 5 kΩ / 470 pF
<b>4 incremental inputs (A, /A, B, /B)</b> <b>RS422 / HTL differential / HTL PNP-NPN</b> (option)		
input frequency	RS422: max. 1 MHz HTL differential: max. 500 kHz HTL: max. 250 kHz	
input level	RS422: > 0.5 V HTL differential: > 2 V HTL: Low 0 ... 3 V / High 9 ... 30 V	
load	max. 3 mA / Ri > 10 kΩ / 47 pF	
<b>3 control inputs (Cnt 1 - 3)</b>		
input frequency	PNP max. 10 kHz	
input level	HTL: Low 0 ... 3 V / High 9 ... 30 V	
load	max. 2 mA / Ri > 15 kΩ / 470 pF	
<b>Accuracy frequency</b>	±1 ppm ±1 digit	

#### Outputs (option)

<b>4 switching outputs</b>	5 ... 30 V DC/200 mA (PNP) reaction time < 1 ms
<b>Interface</b>	RS232 or RS485 Drivecom protocol / Modbus / Printer 9600 ... 38400 Baud
<b>Analog output</b>	-10 ... +10 V (max. 2 mA) or 0 ... 20 mA, 4 ... 20 mA (max. 270 Ω) resolution 16 bit (15 bit + sign) accuracy ±0.1 % reaction time < 150 ms
<b>Relay output</b>	2 changeover contacts (potential free) max. 250 V AC / 3 A / 750 VA max. 150 V DC / 2 A / 50 W reaction time < 20 ms

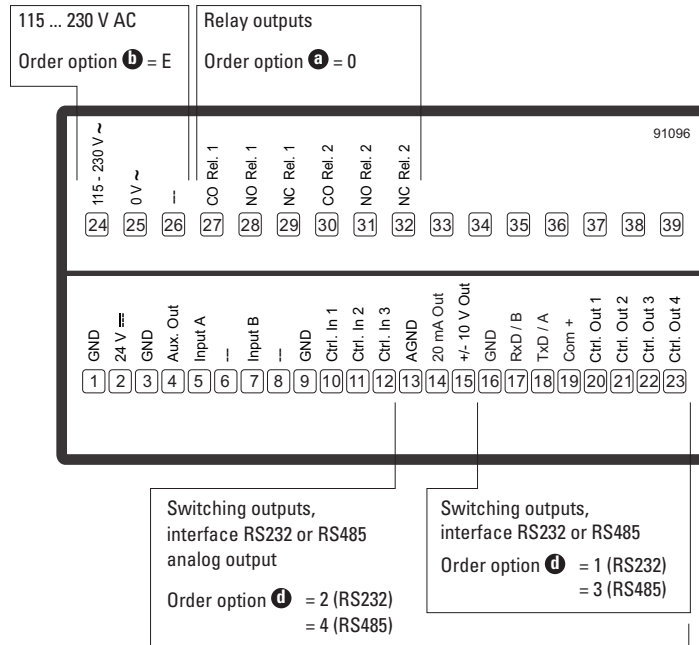
#### Approvals

<b>CE compliant</b> in accordance with		
EMC Directive	2014/30/EU	
RoHS Directive	2011/65/EU	
Low Voltage Directive	2014/35/EU	

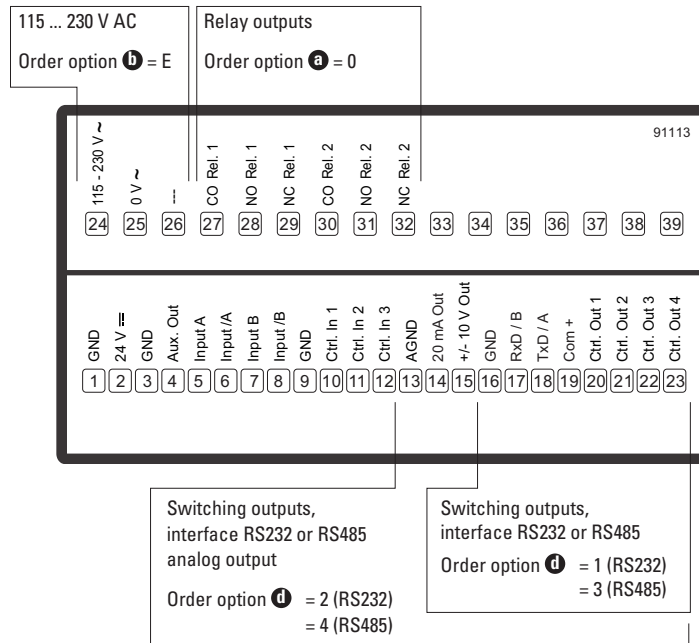
# Multifunction devices, electronic

## LCD touch multifunction preset counters Pulse, frequency, time (also reciprocal) – (AC+DC) 571T

### Terminal assignment HTL (standard)

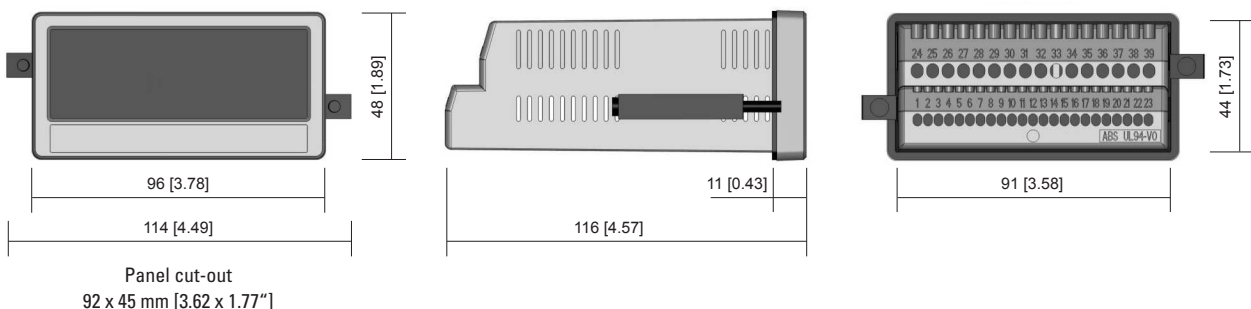


### Terminal assignment RS422 / HTL differential / HTL (option)



### Dimensions

Dimensions in mm [inch]



**LED multifunction display**    **Multifunctional – pulse, frequency, time (AC+DC)**    **Codix 544**



The Codix 544 is a voltage-powered multifunction counter with 4 functions in one device:  
Pulse, position, frequency and speed display, timer and short time meter.

With 6-digit LED display for NPN, PNP input signals.



<b>DC</b> 10 ... 30 V	<b>AC</b> 10 ... 240 V	<b>-20°... +65°C</b> Temperature range	<b>IP65</b> High protection level	<b>Plug-in screw terminal</b>	<b>Menu-driven programming</b>	<b>max. 60 kHz</b> Pulse counter/ Totalizer	<b>Position display</b>	<b>1/sec - 1/min</b> Frequency meter/ tachometer	<b>Timer</b>	<b>HRA</b> Frequency meter HRA
--------------------------	---------------------------	---	--------------------------------------	-------------------------------	--------------------------------	--	-------------------------	---	--------------	-----------------------------------

### Powerful

- Fast count and frequency input – input frequency max. 60 kHz (can be damped to 30 Hz for mechanical contacts).
- Robust housing – IP65 protected.
- Very bright LED display, 14 mm high, 6 digits.
- Very accurate precise frequency measurement principle (HRA-High Rate Accuracy System)  
Frequencies up to 38 Hz are calculated using time-interval (period duration) measurement. Frequencies > 38 Hz are calculated using a special time base (gate time) measurement. A very high accuracy of < 0.1 % is achieved, even with very short gate times. The resulting measurement is available after a max. of 50 ms.
- Short start-up time – detects input pulses just 16 msec after being switched on => no pulses are lost with a simultaneous motor start-up.

### User-friendly and universal

- Large keys – can also be operated when wearing gloves.
- Programming:
  - Simple uniform menu-driven programming and operation.
  - Possible to enter the programming also during operation with a confirmation prompt.
- Individually programmable scaling: multiplication and division factor (0.0001...99.9999), to display corresponding engineering units, e.g. position in 1/10 mm and speed in RPM.
- 4 different count input modes: 2-channel count input for detecting count direction, difference or adding mode, quadrature with x1, x2 or x4 evaluation.
- Frequency measurement: display in 1/min or 1/sec.
- Time counting: pulse width or time interval measurement in hours, minutes or seconds, as well as real-time display.
- AC or DC supply voltage.
- Inputs: as an alternative to the HTL inputs, devices are available with a 5 V DC input level, for use as parallel displays to PLCs.
- Optional output: zero signal for position and count, zero speed monitoring, 1 Hz clock pulse for active time measurement.

**Order code**    **6.544 . 01 X . X X 0**

- a** Output  
1 = optocoupler  
2 = no output
- b** Supply voltage  
0 = 100 ... 240 V AC, ±10 %  
3 = 10 ... 30 V DC
- c** Input switching level  
0 = Standard (HTL)  
A = 4 ... 30 V DC

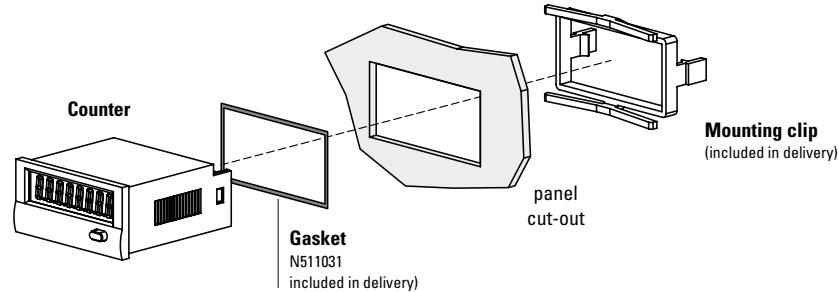
- Delivery specification**
- Digital display
  - Mounting clip
  - Gasket
  - 2 plug-in screw terminals
  - Instruction manual, multilingual

**Stock types**  
6.544.012.000  
6.544.012.300

# Multifunction devices, electronic

**LED multifunction display**    **Multifunctional – pulse, frequency, time (AC+DC)**    **Codix 544**

**Accessories / Mounting examples**



		Type / size	Description		Order no.	
<b>Gasket counter</b>			96 x 49 mm [3.78 x 1.93"]		<b>N511031</b>	
<b>Mounting frame</b>		<b>cut-out</b> 92 x 45 mm [3.62 x 1.77"]	for snap-on mounting on 35 mm [1.38"] top-hat DIN rail	grey	<b>G300005</b>	–
<b>Screw terminal</b> (Replacement part)			1 ... 7, pitch 3.81 1 ... 2, pitch 5.08	7 pin 2 pin	<b>N100387</b> <b>N100133</b>	
incl. in delivery						

**Technical data**

General technical data	
<b>Display</b>	6 digit, red 7 segment LED display; 14 mm [0.55"] high
<b>Data backup</b>	EEPROM
<b>Operating temperature</b>	-20 °C ... +65 °C [-4 °F ... +149 °F] (non-condensing)
<b>Storage temperature</b>	-25 °C ... +70 °C [-13 °F ... +158 °F]
<b>Relative humidity</b>	< 85 % (non-condensing)
<b>Altitude</b>	up to 2000 m [6562']

Electrical characteristics	
<b>Supply voltage</b>	10 ... 30 V DC, with integrated reverse polarity protection 100 ... 240 V AC, ±10 %
<b>Current consumption</b>	max. 50 mA, 8 VA
<b>Device safety</b>	designed to protection class 2 application area pollution level 2 EN 61010 part 1

Mechanical characteristics	
<b>Housing</b>	front panel mount 96 x 48 mm [3.74 x 1.89"] acc. to DIN 43700; RAL 7021, dark grey
<b>Protection</b>	IP65 (front side)
<b>Weight</b>	approx. 150 g [5.29 oz]

Outputs	
<b>Sensor supply voltage (AC version)</b>	24 V DC ±15 %/100 mA
<b>Optocoupler output</b>	max. 30 V, 10 mA

Inputs	
<b>Polarity of inputs</b>	programmable, NPN or PNP for all inputs
<b>Input resistance</b>	approx. 5 kΩ
<b>Counting frequency <sup>1)</sup></b>	max. 60 kHz, can be damped to 30 Hz for position display max. 25 kHz
<b>Display range</b>	timer 0.001 s ... 999999 h frequency meter 1/min or 1/sec
<b>Minimum pulse duration of the reset input</b>	5 ms
<b>Input switching level standard version (HTL)</b>	
DC supply voltage	LOW 0 ... 0.2 x U <sub>B</sub> [V DC] HIGH 0.6 x U <sub>B</sub> ... 30 V DC
AC-supply voltage	LOW 0 ... 4 V DC HIGH 12 ... 30 V DC
<b>Input switching level at 4 ... 30 V DC</b>	
	LOW 0 ... 2 V DC HIGH 4 ... 30 V DC
<b>Accuracy</b>	tachometer < 0.1 % timer < 50 ppm

Approvals	
<b>UL compliant</b> in accordance with	File no. E128604
<b>CE compliant</b> in accordance with	
EMC Directive	2014/30/EU
RoHS Directive	2011/65/EU
Low Voltage Directive	2014/35/EU

1) Details see manual

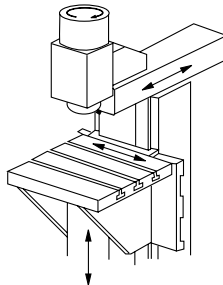


# Multifunction devices, electronic

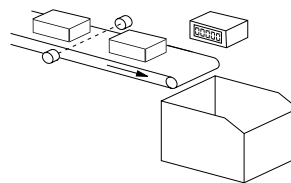
**LED multifunction display**    **Multifunctional – pulse, frequency, time (AC+DC)**    **Codix 544**

### Applications for multifunction display

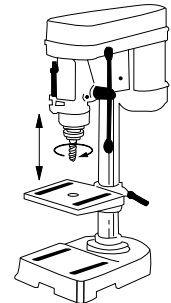
- Counting tasks such as quantity and piece counting, measuring and recording of speed and of operating and processing times
- Piece counting or tool-life measurement on die cutters, presses, extruders, woodworking machines, drilling machines, pick-and-place machines, guillotines, special-purpose vehicles etc.
- Positioning tasks on processing machines, such as sawing machines, milling machines, bending and folding machines, etc.
- Production data acquisition by means of piece counting (using difference or adding), or measurement of production times or production speeds
- Totalizing flow, quantity and other scaleable media, or display of current flow rates.



Position or rotary speed on milling machine



Piece count on conveyor or production speed



Drilling machine head, speed or drilling depth

### Functions

#### Pulse counter:

Various counting modes such as count direction, difference, addition, phase discriminator

#### Position display:

Phase discriminator with simple, double or quadruple evaluation

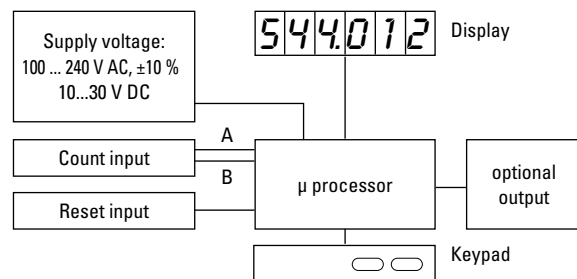
#### Frequency and speed display:

Pulses per minute or per second scaleable, with HRA measurement

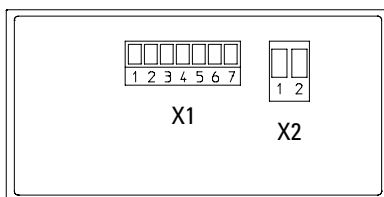
#### Hour meters and short-time meters:

Various programmable time ranges with different ways of measuring

### Block diagram



### Terminal assignment



#### Connection X1

PIN	AC version	DC version
1	Optocoupler output	Emitter
2	Optocoupler output	Collector
3	Reset / Set	
4	INP B	
5	INP A	
6	GND out	n.c.
7	+24 V out	n.c.

#### Connection X2

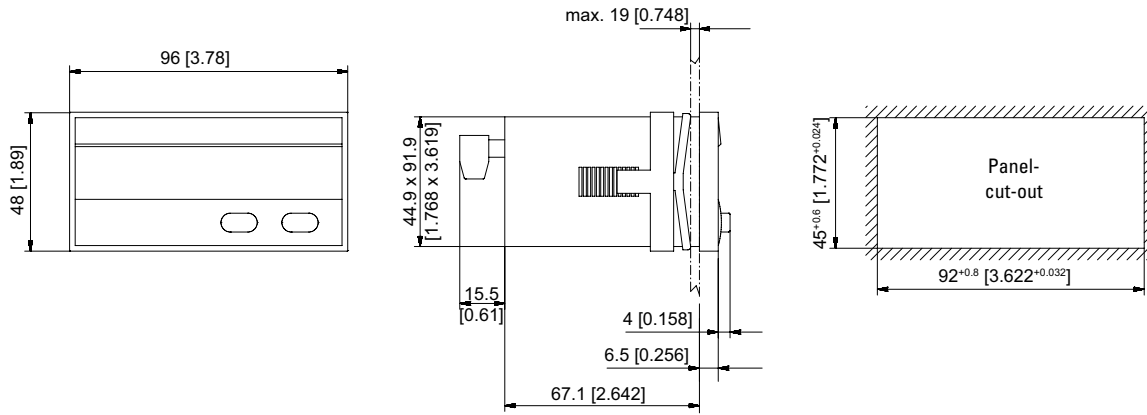
PIN	AC version	DC version
1	100 ... 240 V AC, ±10 %	0V DC (GND)
2	100 ... 240 V AC, ±10 %	10 ... 30 V DC

# Multifunction devices, electronic

<b>LED multifunction display</b>	<b>Multifunctional – pulse, frequency, time (AC+DC)</b>	<b>Codix 544</b>
----------------------------------	---	------------------

## Dimensions

Dimensions in mm [inch]



# Multifunction devices, electronic

**LED dual function displays**      **Universal with dual functions, 4 combinations (AC+DC)**      **Codix 54U**



The Codix 54U is a voltage-powered dual function counter with 4 functions in one device:  
**Counter with 2 totalizing ranges, totalizer and timer, totalizer and frequency meter, timer with 2 time ranges.**  
**For fast and slow count pulses, with 6-digit LED display for NPN, PNP input signals.**

<b>DC</b> 10 ... 30 V	<b>AC</b> 10 ... 240 V	<b>000000</b> DIN 96x48	<b>-20°...+65°C</b> Temperature range	<b>IP65</b> High protection level	<b>Plug-in screw terminal</b>	<b>max. 60 kHz</b> Pulse counter/ Totalizer	<b>1/sec - 1/min</b> Frequency meter/ tachometer	<b>Timer</b>	<b>t / Hz</b> Frequency meter HRA
--------------------------	---------------------------	----------------------------	--	--------------------------------------	-------------------------------	--	---	--------------	--------------------------------------

### Powerful

- Fast count and frequency input – input frequency max. 60 kHz (can be damped to 30 Hz for mechanical contacts).
- Robust housing – IP65 protected.
- Very bright LED display, 14 mm high, 6 digits.
- Very accurate precise frequency measurement principle (HRA-High Rate Accuracy System)  
 Frequencies up to 38 Hz are calculated using time-interval (period duration) measurement. Frequencies > 38 Hz are calculated using a special time base (gate time) measurement. A very high accuracy of < 0.1 % is achieved, even with very short gate times. The resulting measurement is available after a max. of 50 ms.
- Short start-up time – detects input pulses just 16 msec after being switched on => no pulses are lost with a simultaneous motor start-up.

### User-friendly and universal

- Large keys – can also be operated when wearing gloves.
- Programming:
  - Simple uniform menu-driven programming and operation.
  - Possible to enter the programming also during operation with a confirmation prompt.
  - Pressing the right key switches between displays.
- Individually programmable scaling: multiplication and division factor (0.0001...99.9999), to display corresponding engineering units, e.g. position in 1/10 mm and speed in RPM.
- Separate factors for frequency- and pulse counting.
- AC or DC supply voltage.
- Inputs: as an alternative to the HTL inputs, devices with a 5 V DC input level are available, for use as parallel displays for PLCs.
- Timer specials: timer or hours-run meter with various Start/Stop measurements, time range settings in hours, minutes or seconds, with decimal point. Resolutions up to 1/1000 can be programmed.

**Order code**      **6.54U . 012 . XX0**

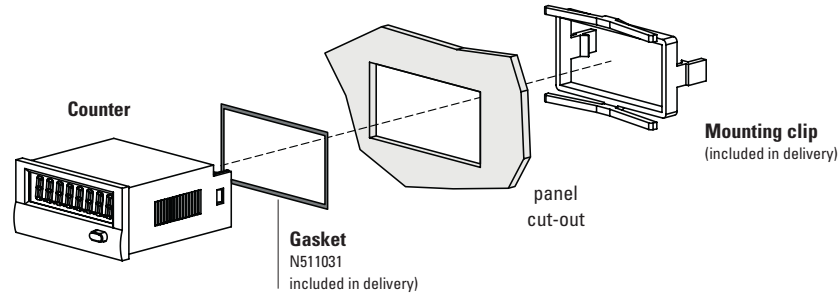
- a** Supply voltage  
 0 = 100 ... 240 V AC, ±10 %  
 3 = 10 ... 30 V DC
- b** Input switching level  
 0 = Standard (HTL)  
 A = 4 ... 30 V DC

- Delivery specification*
- Digital display
  - Mounting clip
  - Gasket
  - 2 plug-in screw terminals
  - Instruction manual, multilingual

# Multifunction devices, electronic

**LED dual function displays**    **Universal with dual functions, 4 combinations (AC+DC)**    **Codix 54U**

**Accessories / Mounting examples**



		Type / size	Description		Order no.	
<b>Gasket counter</b>			96 x 49 mm [3.78 x 1.93"]		<b>N511031</b>	
<b>Mounting frame</b>		<b>cut-out</b> 92 x 45 mm [3.62 x 1.77"]	for snap-on mounting on 35 mm [1.38"] top-hat DIN rail	grey	<b>G300005</b>	–
<b>Screw terminal</b> (Replacement part)			1 ... 7, pitch 3.81 1 ... 2, pitch 5.08	7 pin 2 pin	<b>N100387</b> <b>N100133</b>	
						incl. in delivery

# Multifunction devices, electronic

<b>LED dual function displays</b>	<b>Universal with dual functions, 4 combinations (AC+DC)</b>	<b>Codix 54U</b>
-----------------------------------	--	------------------

## Technical data

General technical data	
<b>Display</b>	6 digit, red 7 segment LED display; 14 mm [0.55"] high
<b>Data backup</b>	EEPROM
<b>Operating temperature</b>	10 ... 26 V DC -20 °C ... +65 °C [-4 °F ... +149 °F] (non-condensing)
<b>Storage temperature</b>	-25 °C ... +70 °C [-13 °F ... +158 °F]
<b>Relative humidity</b>	< 85 % (non-condensing)
<b>Altitude</b>	up to 2000 m [6562']

Electrical characteristics	
<b>Supply voltage</b>	10 ... 30 VDC, with reverse polarity protection 100 ... 240 V AC, ±10 %
<b>Current consumption</b>	max. 50 mA, 8 VA
<b>Device safety</b>	designed to EN 61010 part 1 protection class 2 application area pollution level 2

Mechanical characteristics	
<b>Housing</b>	front panel mount 96 x 48 mm [3.74 x 1.89"] acc. to DIN 43700; RAL 7021, dark grey
<b>Protection</b>	IP65 (front side)
<b>Weight</b>	approx. 150 g [5.29 oz]

Inputs	
<b>Polarity of inputs</b>	programmable, NPN or PNP for all inputs
<b>Input resistance</b>	approx. 5 kΩ
<b>Counting frequency <sup>1)</sup></b>	max. 60 kHz, can be damped to 30 Hz
<b>Display range</b>	timer 0.001 s ... 999999 h frequency meter 1/min or 1/sec
<b>Minimum pulse duration of the reset input</b>	5 ms
<b>Input switching level standard version (HTL)</b>	
DC supply voltage	LOW 0 ... 0.2 x U <sub>B</sub> [V DC] HIGH 0.6 x U <sub>B</sub> ... 30 V DC
AC supply voltage	LOW 0 ... 4 V DC HIGH 12 ... 30 V DC
<b>Input switching level at 4 ... 30 V DC</b>	
	LOW 0 ... 2 V DC HIGH 4 ... 30 V DC
<b>Accuracy</b>	
frequency meter / tachometer	< 0.1 %
timer	< 50 ppm

Outputs	
<b>Sensor supply voltage (AC version)</b>	24 V DC ±15 %/100 mA

Approvals	
<b>UL compliant</b> in accordance with	File no. E128604
<b>CE compliant</b> in accordance with	
EMC Directive	2014/30/EU
RoHS Directive	2011/65/EU
Low Voltage Directive	2014/35/EU

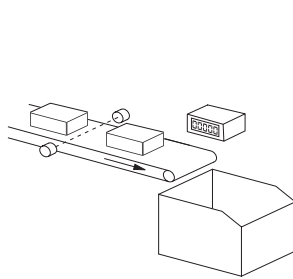
1) Details see manual

# Multifunction devices, electronic

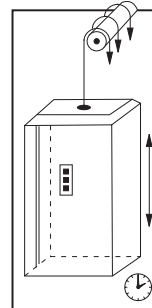
**LED dual function displays**      **Universal with dual functions, 4 combinations (AC+DC)**      **Codix 54U**

### Applications for dual functions

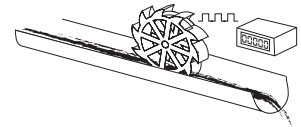
- Pulse and frequency (speed)  
e.g. production data acquisition: total piece count and speed on OEM equipment, flow rate measuring systems – total flow and current flow
- 2 pulse counters  
Measurement of batch and total piece count or of daily production count and total count values
- Pulse and time (maintenance counter)  
Used in the lift industry as trip counters and hours-run meters and on production machines for piece and time counting, flow and time measurement, materials handling time and quantities
- 2 timers  
Measurement of total time and orderspecific times, maintenance intervals and total time, time of day and total time



Piece count on conveyor and production speed

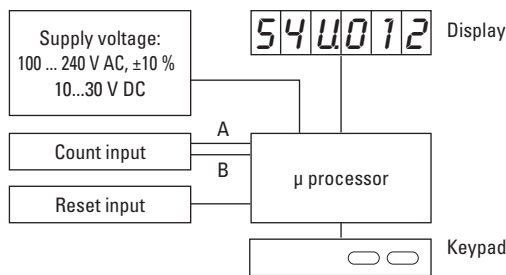


Trip counter and hours-run

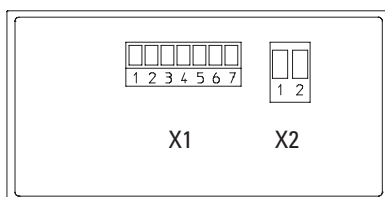


Flow rate and total volume

### Block diagram



### Terminal assignment



#### Connection X1

PIN	AC version	DC version
1	n.c.	
2	n.c.	
3	Reset	
4	INP B	
5	INP A	
6	GND out	n.c.
7	+24 V out	n.c.

#### Connection X2

PIN	AC version	DC version
1	100 ... 240 V AC, ±10 %	0 V DC (GND)
2	100 ... 240 V AC, ±10 %	10 ... 30 V DC

Function of the inputs INP A, INP B

#### Counter with 2 totalizing ranges:

INP A: Dynamic count input counter 1 and counter 2  
INP B: Inactive

#### Totalizer and timer:

INP A: Dynamic count input for totalizer  
INP B: Start/Stop or gate input for timer

#### Totalizer and frequency meter:

INP A: Dynamic count input/frequency input  
INP B: Inactive

#### Timer with 2 time ranges:

INP A: Start input (depends on input type)  
INP B: Start/Stop or gate input for timer (depends on input type)

# Multifunction devices, electronic

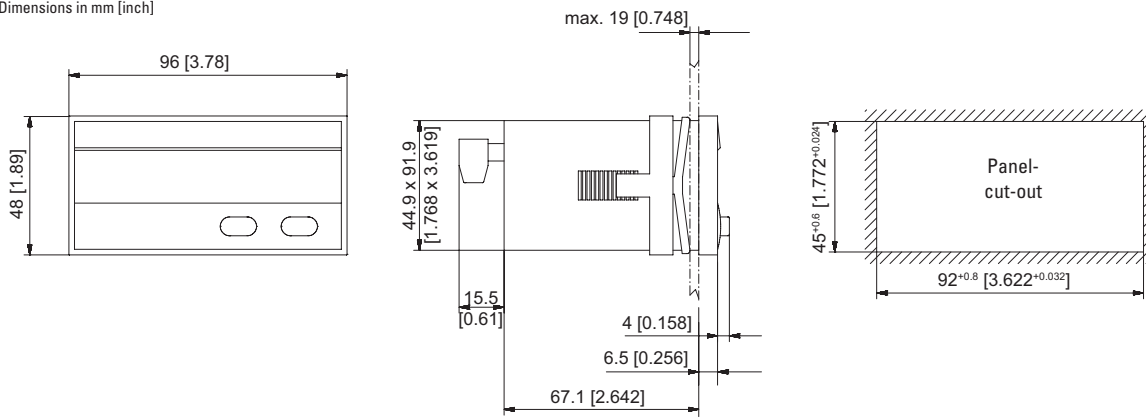
**LED dual function displays**

**Universal with dual functions, 4 combinations (AC+DC)**

**Codix 54U**

## Dimensions

Dimensions in mm [inch]



## По вопросам продаж и поддержки обращайтесь:

Алматы (727)345-47-04  
Ангарск (3955)60-70-56  
Архангельск (8182)63-90-72  
Астрахань (8512)99-46-04  
Барнаул (3852)73-04-60  
Белгород (4722)40-23-64  
Брянск (4832)59-03-52  
Владивосток (423)249-28-31  
Владикавказ (8672)28-90-48  
Владимир (4922)49-43-18  
Волгоград (844)278-03-48  
Вологда (8172)26-41-59  
Воронеж (473)204-51-73  
Екатеринбург (343)384-55-89

Иваново (4932)77-34-06  
Ижевск (3412)26-03-58  
Иркутск (395)279-98-46  
Казань (843)206-01-48  
Калининград (4012)72-03-81  
Калуга (4842)92-23-67  
Кемерово (3842)65-04-62  
Киров (8332)68-02-04  
Коломна (4966)23-41-49  
Кострома (4942)77-07-48  
Краснодар (861)203-40-90  
Красноярск (391)204-63-61  
Курск (4712)77-13-04  
Курган (3522)50-90-47  
Липецк (4742)52-20-81

Магнитогорск (3519)55-03-13  
Москва (495)268-04-70  
Мурманск (8152)59-64-93  
Набережные Челны (8552)20-53-41  
Нижний Новгород (831)429-08-12  
Новокузнецк (3843)20-46-81  
Ноябрьск (3496)41-32-12  
Новосибирск (383)227-86-73  
Омск (3812)21-46-40  
Орел (4862)44-53-42  
Оренбург (3532)37-68-04  
Пенза (8412)22-31-16  
Петрозаводск (8142)55-98-37  
Псков (8112)59-10-37  
Пермь (342)205-81-47

Ростов-на-Дону (863)308-18-15  
Рязань (4912)46-61-64  
Самара (846)206-03-16  
Санкт-Петербург (812)309-46-40  
Саратов (845)249-38-78  
Севастополь (8692)22-31-93  
Саранск (8342)22-96-24  
Симферополь (3652)67-13-56  
Смоленск (4812)29-41-54  
Сочи (862)225-72-31  
Ставрополь (8652)20-65-13  
Сургут (3462)77-98-35  
Сыктывкар (8212)25-95-17  
Тамбов (4752)50-40-97  
Тверь (4822)63-31-35

Тольятти (8482)63-91-07  
Томск (3822)98-41-53  
Тула (4872)33-79-87  
Тюмень (3452)66-21-18  
Ульяновск (8422)24-23-59  
Улан-Удэ (3012)59-97-51  
Уфа (347)229-48-12  
Хабаровск (4212)92-98-04  
Чебоксары (8352)28-53-07  
Челябинск (351)202-03-61  
Череповец (8202)49-02-64  
Чита (3022)38-34-83  
Якутск (4112)23-90-97  
Ярославль (4852)69-52-93

Россия +7(495)268-04-70

Казахстан +7(727)345-47-04

Беларусь +(375)257-127-884

Узбекистан +998(71)205-18-59

Киргизия +996(312)96-26-47

эл.почта: [kgu@nt-rt.ru](mailto:kgu@nt-rt.ru) || сайт: <https://kubler.nt-rt.ru/>